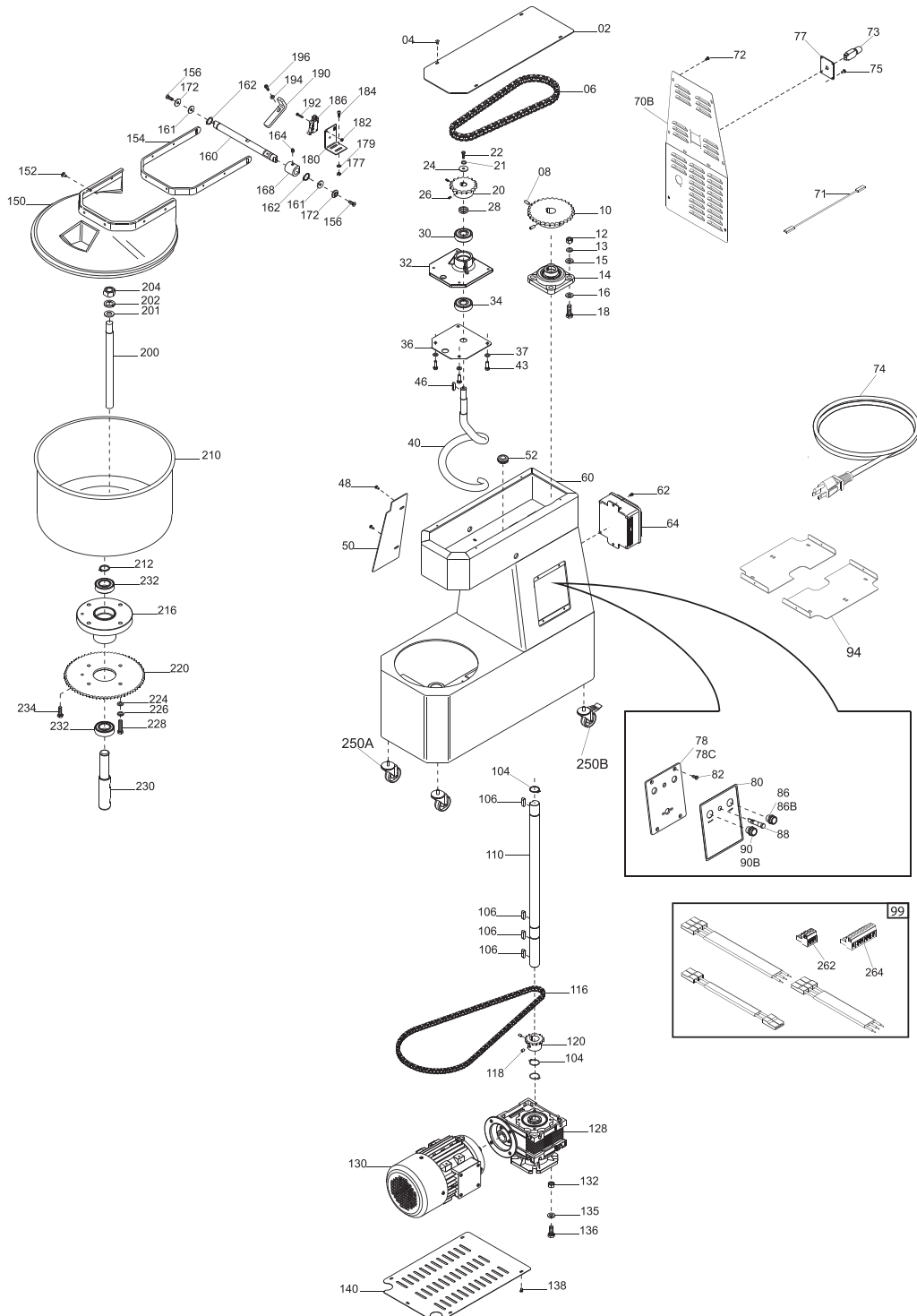


# Parts Breakdown

## Model MX-IT-0020-FT 47417



# Parts Breakdown

## Model MX-IT-0020-FT 47417

Item No.	Description	Position	Item No.	Description	Position	Item No.	Description	Position
AG983	Upper Casing ETL Vern. for 47417	02	AG972	Spiral Y17 for 47417	40	AG949	Black Push Button N.O. for 47417	86
69217	Screw Poeliers M4x8 for 47417	04	AH022	Screw TE Din 933 M8x25 T.F. for 47417	43	AG947	Stainless Steel Off Button Resin-Coated Y12 UL for 47417	86B
AG956	Chain Spir. 1/2x5/16" for 47417	06	AH008	Feathers Din 6885 / A5x5x25 for 47417	46	AG951	Unified Light UL 24 V for 47417	88
AH031	Screw Din 916 M6x20 NE for 47417	08	69217	Screw Poeliers M4x8 for 47417	48	AG950	White Push Button N.O. for 47417	90
AG959	Pinion Z30 1/2x5/16" for 47417	10	AG985	Tank Protection ETL Vern. for 47417	50	AG948	Stainless Steel On Button with Light Y12 Resin UL for 47417	90B
AH027	Nut ES. Din 934 M10 for 47417	12	AG953	Vibration Damper for 47417	52	AG993	Internal Panel ETL for 47417	94
AG958	Flange Support for 47417	14	AG982	Welded Frame ETL Vern. for 47417	60	AH027	Nut ES. Din 934 M10 for 47417	97
62645	Flat Washer Din 125 D10 for 47417	15	AH019	Screw TCEI Din 912 M6x10 for 47417	62	AG968	Internal Wiring 110/60 ETL for 47417	99
AH016	Washer F.Larga Din 9021 D10x30 for 47417	16	62660	Washer F Wide Din 9021 D6x18 for 47417	63	AH007	Retaining Rings Din 471 D25E for 47417	104
AH025	Screw TE Din 933 M10x35 T.F. for 47417	18	AG995	Electrical Box UL 110/60 for 47417	64	AH009	Feathers Din 6885 / A8x7x25 for 47417	106
AG960	Pignon Z17 1/2x5/16" D16 for 47417	20	AG984	Rear Carter ETL Y16 Vern. for 47417	70	AG978	Drive Shaft for 47417	110
AH003	Grower Washer UNI 1751 D.6 for 47417	21	AG952	Power Cable UL Thermal Protection for 47417	71	AG957	Tank Chain 3/8x7/32" for 47417	116
AH021	Screw TE Din 933 M6x22 T.F. for 47417	22	69217	Screw Poeliers M4x8 for 47417	72	AH030	Grub Screw Din 916 M6x8 NE for 47417	118
AH002	Grower Washer UNI 1751 D 5 for 47417	23	AG967	Thermal Protection T11 211 15A UL for 47417	73	AG961	Pignone Z16 3/8x7/32" D25 Chi. for 47417	120
AH015	Washer F.Larga Din 9021 D6x24 for 47417	24	AG966	Power Cable 110/60 ETL PA244S for 47417	74	AG964	Rid.NMRV 050 B14 1/30 FA80 F1 for 47417	128
AH029	Screw Din 916 M4x10 NE for 47417	26	AH010	Screw Autof.TC+Din 7981 D3x8 for 47417	75	AG963	Motor MC 80 0.75Kw B14 4P UL 115/60 for 47417	130
AG974	Spiral Support Distance for 47417	28	AG991	Supp. Plate Prot. Term. MN for 47417	77	AH027	Nut ES. Din 934 M10 for 47417	132
AG946	Ball Bearing 6303 2-RD HRC 20 for 47417	30	AG986	EC Control Plate Y10 for 47417	78	62645	Flat Washer Din 125 D10 for 47417	135
AG954	Spiral Cast Iron Supp Y12 HRC 20 LAV. for 47417	32	AG987	CE Stainless Steel Control Plate for 47417	78C	AH024	Screw TE Din 933 M10x30 T.F. for 47417	136
AG976	Spacer for 47417	33	AH011	Screw TC+Din 7985 M4x8 for 47417	79	69217	Screw Poeliers M4x8 for 47417	138
AG946	Ball Bearing 6303 2-RD HRC 20 for 47417	34	AG971	Face Plate. Controls Panel for 47417	80	AG988	Lower Cover for 47417	140
AG973	Spiral Support Plate Y12 for 47417	36	AH012	Screw TSPEI Din 7991 M5x8 for 47417	82	AG994	ETL Thermoformed Protection for 47417	150
62644	Flat Washer Din 125 D8 for 47417	37	69217	Screw Poeliers M4x8 for 47417	83	69218	Screw Poeliers M5x8 for 47417	152
AH004	Grower Washer UNI 1751 D8 for 47417	38	AH014	Washer F.Larga Din 9021 D4x12 for 47417	84	AG992	Cover Profile Prot. for 47417	154

# Parts Breakdown

## Model MX-IT-0020-FT 47417

Item No.	Description	Position	Item No.	Description	Position	Item No.	Description	Position
AH013	Flathead CSK Screw Din 7991 M5x14 for 47417	156	AG965	Micro Switch with Lever ETL for 47417	186	AG955	Bowl Holder for 47417	216
AG980	Shaft. Tank Protection for 47417	160	AG989	Corner Plate for 47417	190	AG962	Crown Z70 3/8x7/32" Lav.Chi. for 47417	220
AG996	Plastic Washer 16x25x1 for 47417	161	AH020	Screw TE Din 933 M3x16 T.F. for 47417	192	AH004	Grower Washer Uni 1751 D8 for 47417	226
AH006	Stop Rings Din 471 D15E for 47417	162	AH000	Washer Flat Din 125 D.4 for 47417	194	AH023	Screw TE Din 933 M8x35 T.F. for 47417	228
AH030	Grub Screw Din 916 M6x8 NE for 47417	164	AH001	Washer Din 125 D5 for 47417	194	AG981	Shaft. Bowl Support for 47417	230
AG997	Cam TA for 47417	168	AH017	Screw TCEI Din 912 M4x12 for 47417	196	AH032	Screw without Head Din 916 M8x16 NE for 47417	231
AG977	Washer for 47417	172	AH018	Screw TCEI Din 912 M5x12 for 47417	196	AG945	Bearing 6205 2RS ORS for 47417	232
AH026	Hex.Nut Din 934 M4 for 47417	177	AG979	Rod Breaker for 47417	200	AH022	Screw TE Din 933 M8x25 T.F. for 47417	234
AH000	Washer Flat Din 125 D.4 for 47417	179	AH005	Grower Washer UNI 1751 D18 for 47417	201	AG998	Wheel ETL CMT1-3PBB for 47417	250A
AG990	Hold Plate for Microswitch for 47417	180	AH033	Flat Washer Din 125 D 18 Zinc for 47417	202	AG999	ETL Wheel C/Brake CMT1-3PPB for 47417	250B
69215	Nut Din 934 M3 for 47417	182	AH028	Nut ES. Din 934 M18 for 47417	204	AG969	3-Pole HRC Connector for 47417	262
69209	Washer Din 125 D3 for 47417	183	AG975	Processing Tank 360x210 for 47417	210	AG970	8 Poles HRC Connector for 47417	264
AH017	Screw TCEI Din 912 M4x12 for 47417	184	AH007	Retaining Ring Din 471 D 25E for 47417	212			